

# PRODUCT CATALOG

---

Europe, Middle East & Africa



# NIKE HEX DUMBBELLS

---



**NIKE DUMBBELL (Black / White)**  
Available in 1 - 40kg / Sold in Pairs



**NIKE GRIND DUMBBELL (Wolf Grey)**  
Available in 1 - 22.5kg / Sold in Pairs



**NIKE GRIND DUMBBELL (Shadow)**  
Available in 2 - 22.5kg / Sold in Pairs



**NIKE DUMBBELL STORAGE RACK**  
3 Tiered / Compatible with 1 - 40kg Hex Dumbbells



**NIKE DUMBBELL TREE**  
Fits 5 Pairs of Dumbbells / Up to 22.5kg Dumbbells

# NIKE DUMBBELL

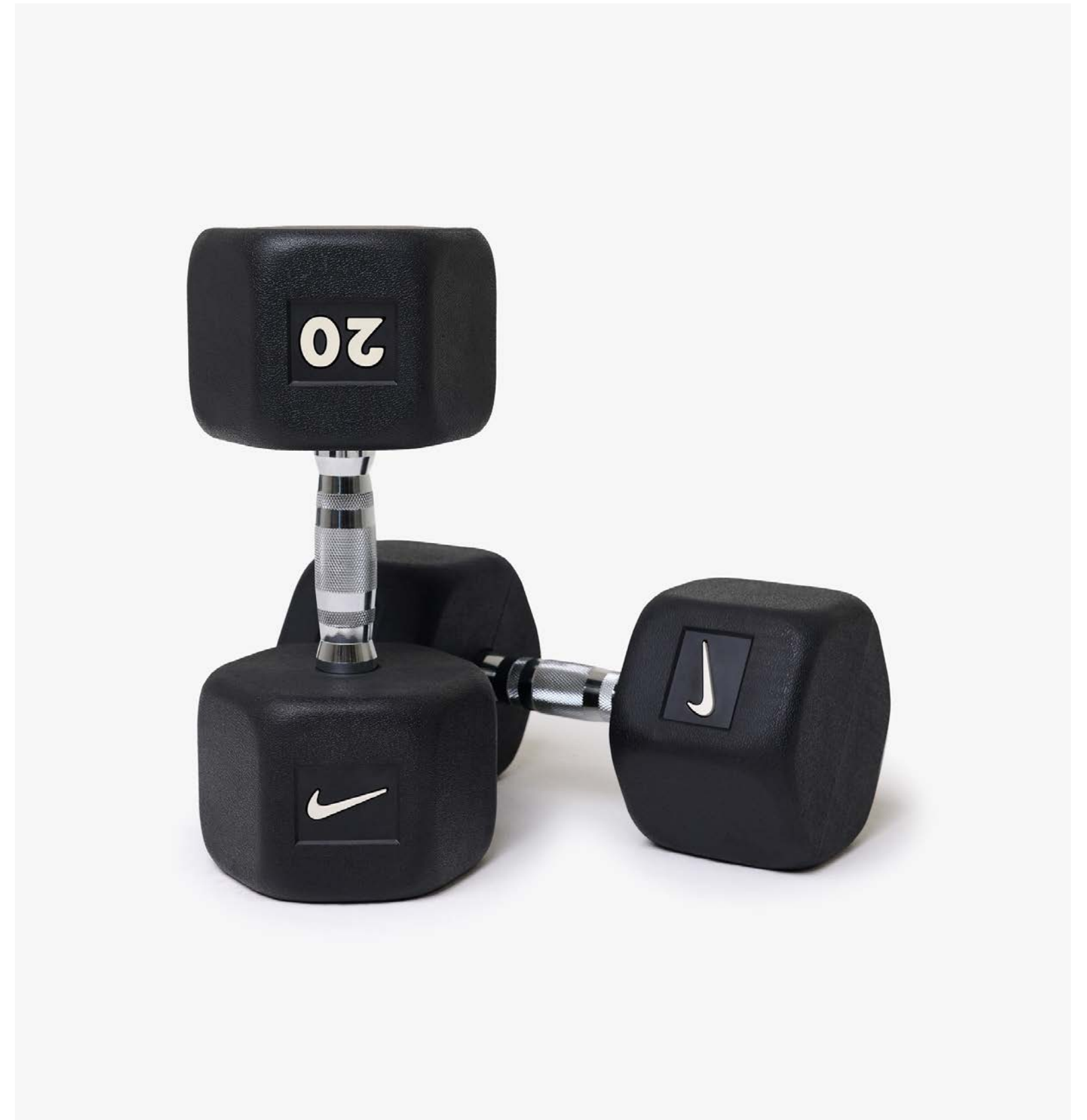
---



## FEATURES

- Durable rubber hex construction prevents rolling and reduces damage to floors
- Sculpted edges provide comfort while lifting
- Knurled handle provides the perfect blend of friction and control
- Ergonomic handle on all sizes
- Black/White
- Available in 1 - 40kg; sold in pairs

SKU: DRDK-10\_\_



# NIKE GRIND DUMBBELL



## FEATURES

- Measured by total product volume, each dumbbell is made with at least 20% Nike Grind, a recycled Nike footwear material
- Durable rubber hex construction prevents rolling and reduces damage to floors
- Sculpted edges provide comfort while lifting
- Knurled handle provides the perfect blend of friction and control
- Ergonomic handle on all sizes
- Available in 1 - 22.5kg; sold in pairs

SKU: DGHK-11\_\_



# NIKE GRIND DUMBBELL

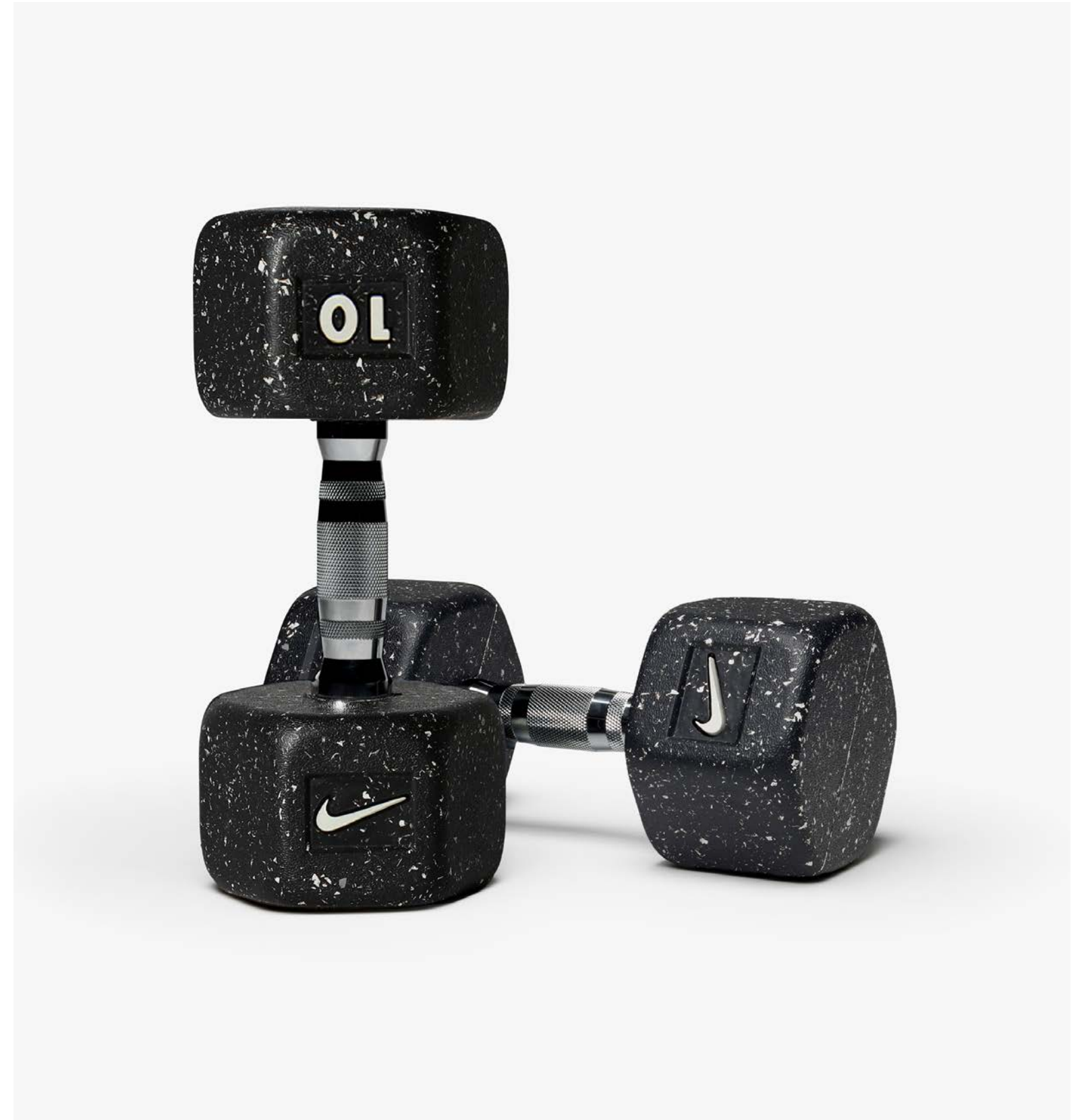
---



## FEATURES

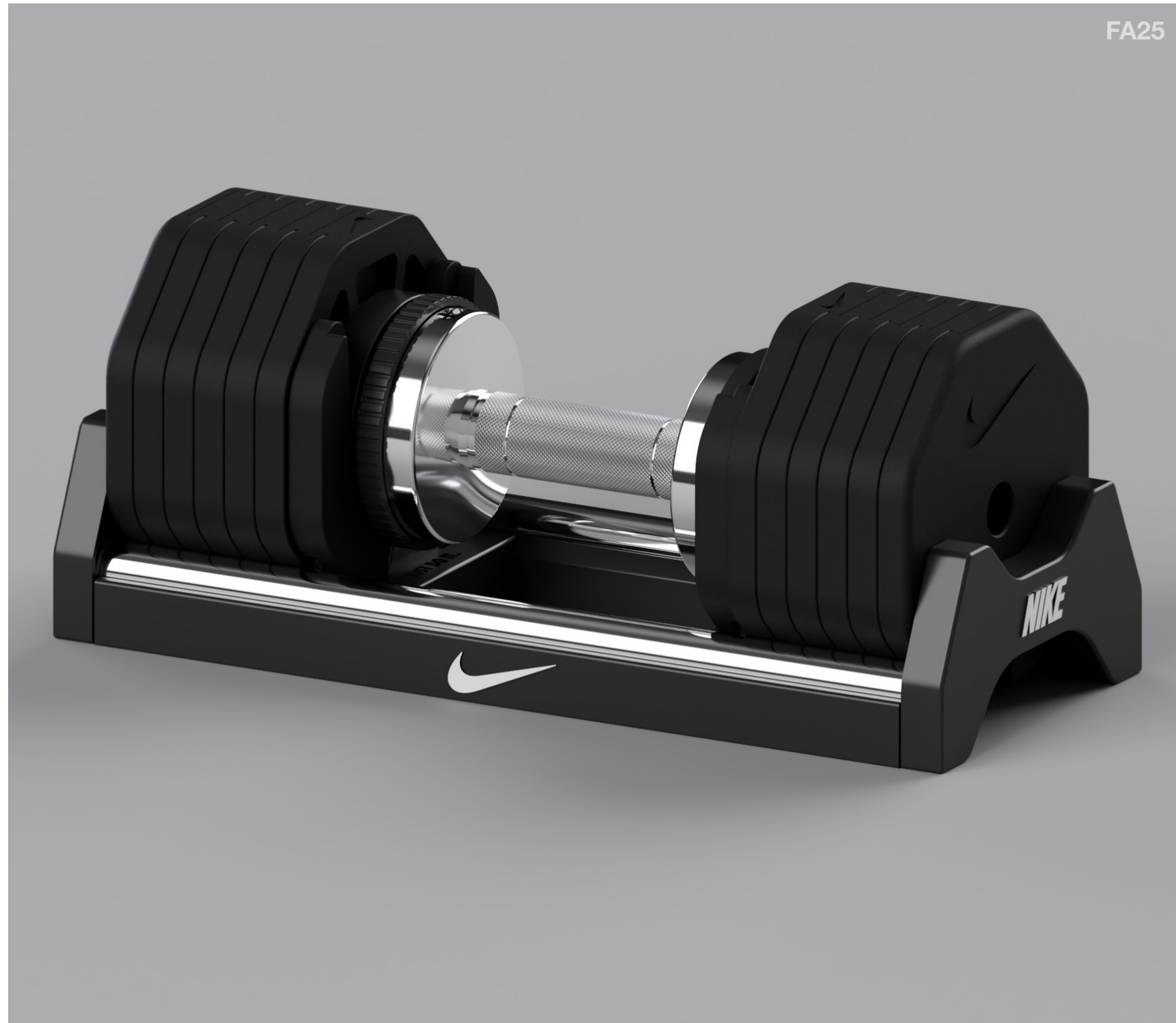
- Measured by total product volume, each dumbbell is made with at least 20% Nike Grind, a recycled Nike footwear material
- Durable rubber hex construction prevents rolling and reduces damage to floors
- Sculpted edges provide comfort while lifting
- Knurled handle provides the perfect blend of friction and control
- Ergonomic handle on all sizes
- Available in 2 - 22.5kg; sold as a set. Limited release.

SKU: DGHK-10\_\_



# NIKE ADJUSTABLE DUMBBELLS

---



**NIKE ADJUSTABLE DUMBBELL**  
5 to 27kg / 2kg Adjustments / Cast Iron Plates



**NIKE ADJUSTABLE DUMBBELL STAND**  
Elevates Dumbbells / Media Holder / Option to Add Wheels

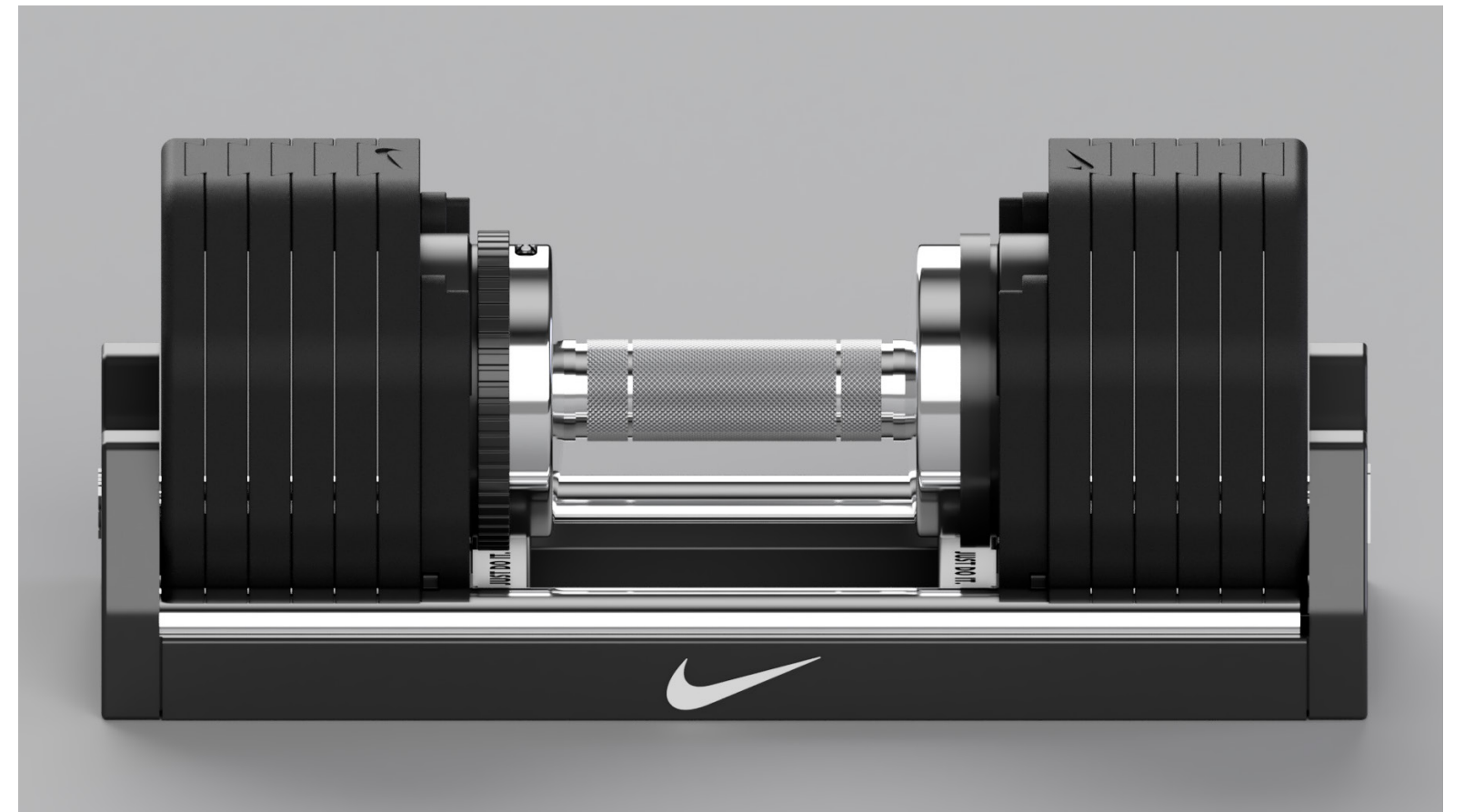
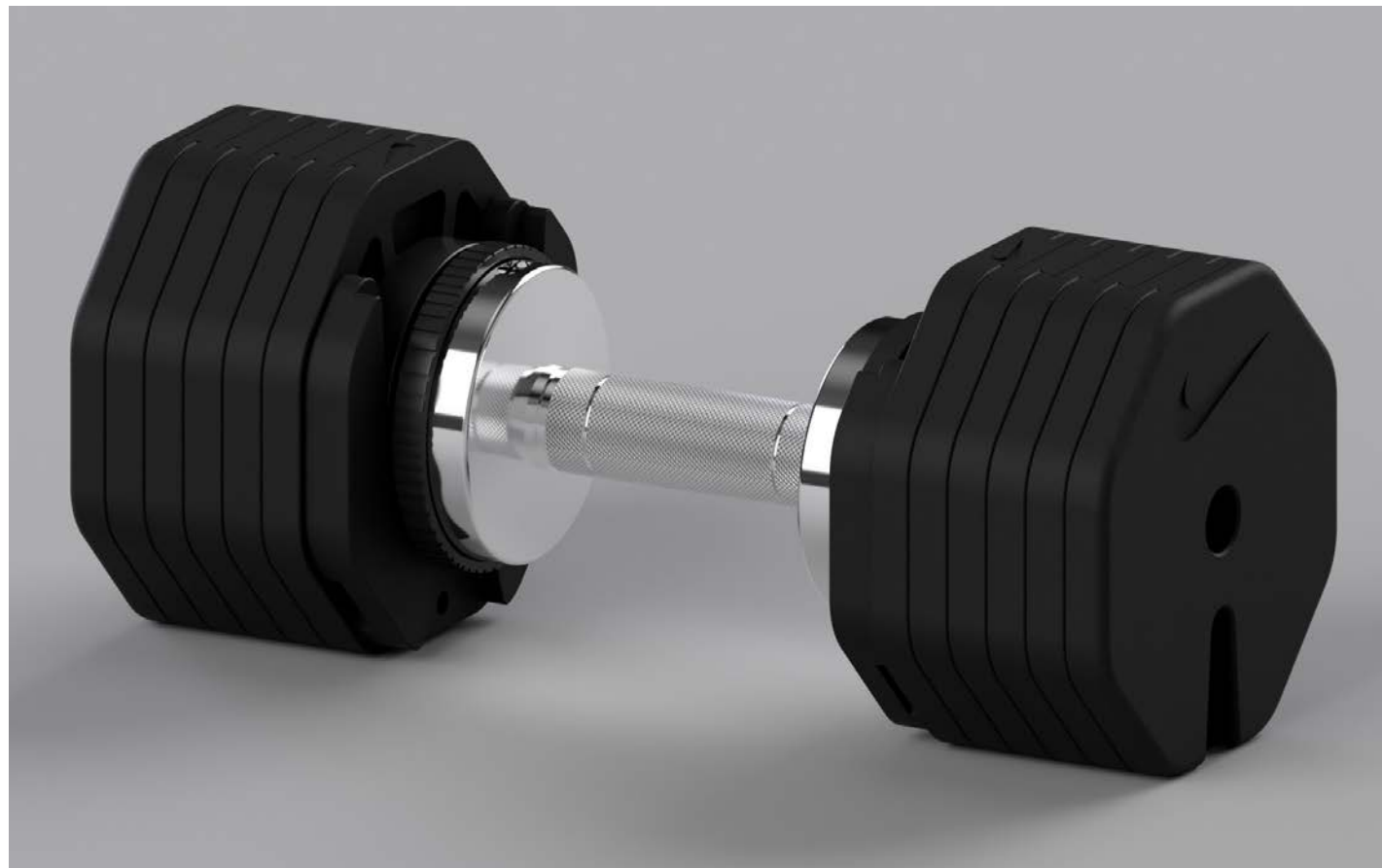
# NIKE ADJUSTABLE DUMBBELL



## FEATURES

- 12-in-1 dumbbell allows you to easily and quickly switch your weight options in 2kg increments from 5 - 27kg
- Constructed entirely from cast iron, the weight plates are built to last—rep after rep
- Compact design replaces multiple fixed weights, giving you more space and less clutter
- Knurled handle provides the perfect blend of friction and control
- Sold in pairs

SKU: DIAK-1P27



# NIKE ADJUSTABLE DUMBBELL STAND



## FEATURES

- Elevates the Nike Adjustable Dumbbell off the ground so you can easily jump right into your workout
- Top tray includes a media holder to support your phone or tablet
- Powder coated, 11-gauge 50mm x 50mm steel tubing supports
- Option to add caster wheels

SKU: SDAD-1165



# NIKE KETTLEBELLS

---



**NIKE KETTLEBELL**  
4 to 40kg / Cast Iron / Powder Coated



**NIKE RUBBER COATED KETTLEBELL (Black / White)**  
4 to 24kg / Rubber Coated Bell / Powder Coated Handle



**NIKE RUBBER COATED KETTLEBELL (Wolf Grey)**  
4 to 24kg / Rubber Coated Bell Made with Nike Grind



**NIKE KETTLEBELL & DUMBBELL STORAGE RACK**

# NIKE KETTLEBELL

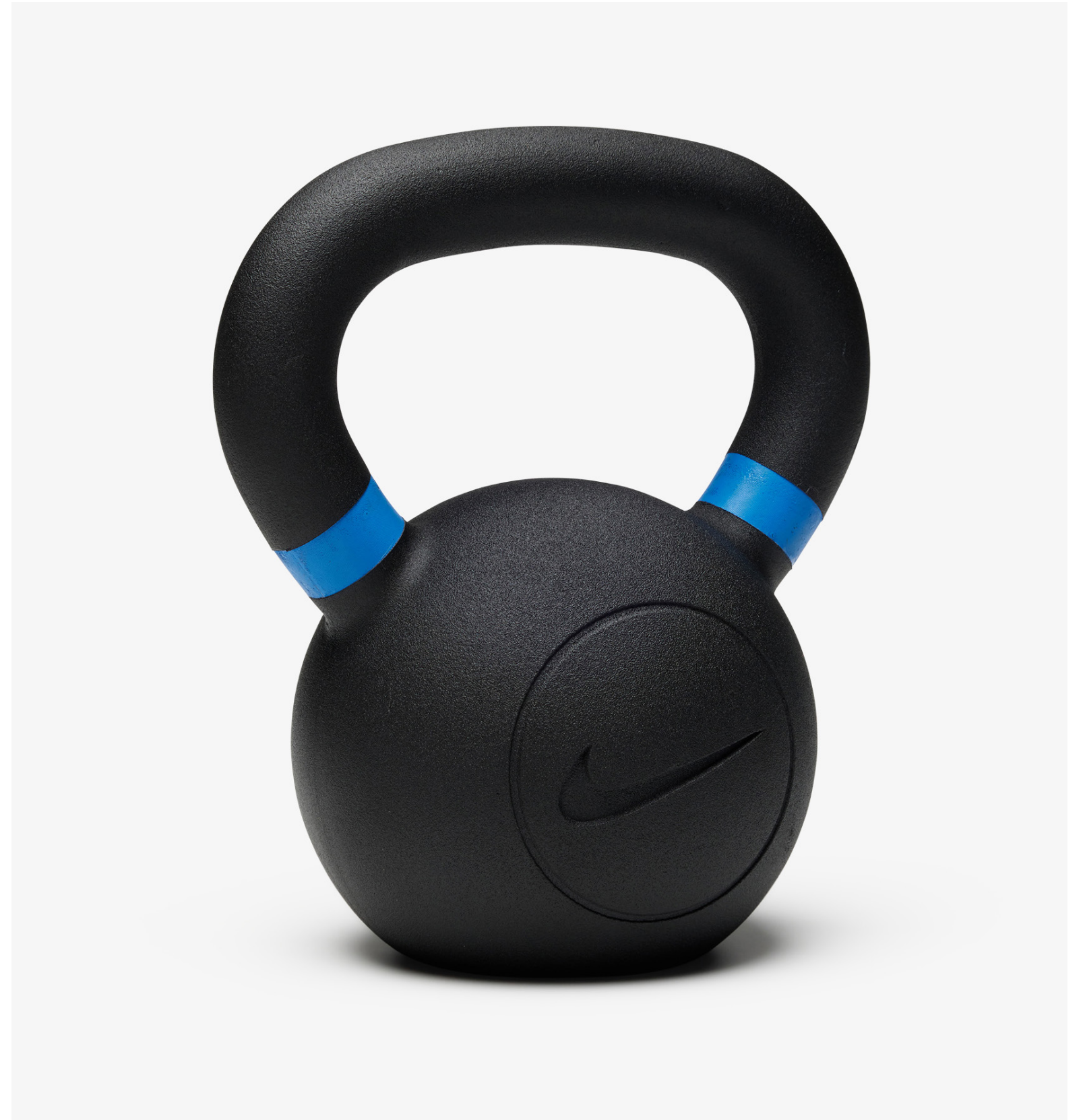
---



## FEATURES

- Redesigned with our latest powder coating technology and debossed for maximum durability
- Ideal for a variety of workouts
- Powder-coated handle provides a clean and uniform surface for comfort and grip, with or without chalk
- Flat base helps keep the kettlebell from wobbling
- Available in 4 - 40kg

SKU: KCAU-\_\_\_\_



# NIKE RUBBER COATED KETTLEBELLS

---



## FEATURES

- Heavy-duty rubber coating helps protect kettlebell & floors from scuffs and scratches
- Powder-coated handle helps you get a solid, comfortable grip
- Flat base helps keep the kettlebell from wobbling
- Available in 4 - 24kg

SKU: KRCU-10\_\_



# NIKE RUBBER COATED KETTLEBELLS

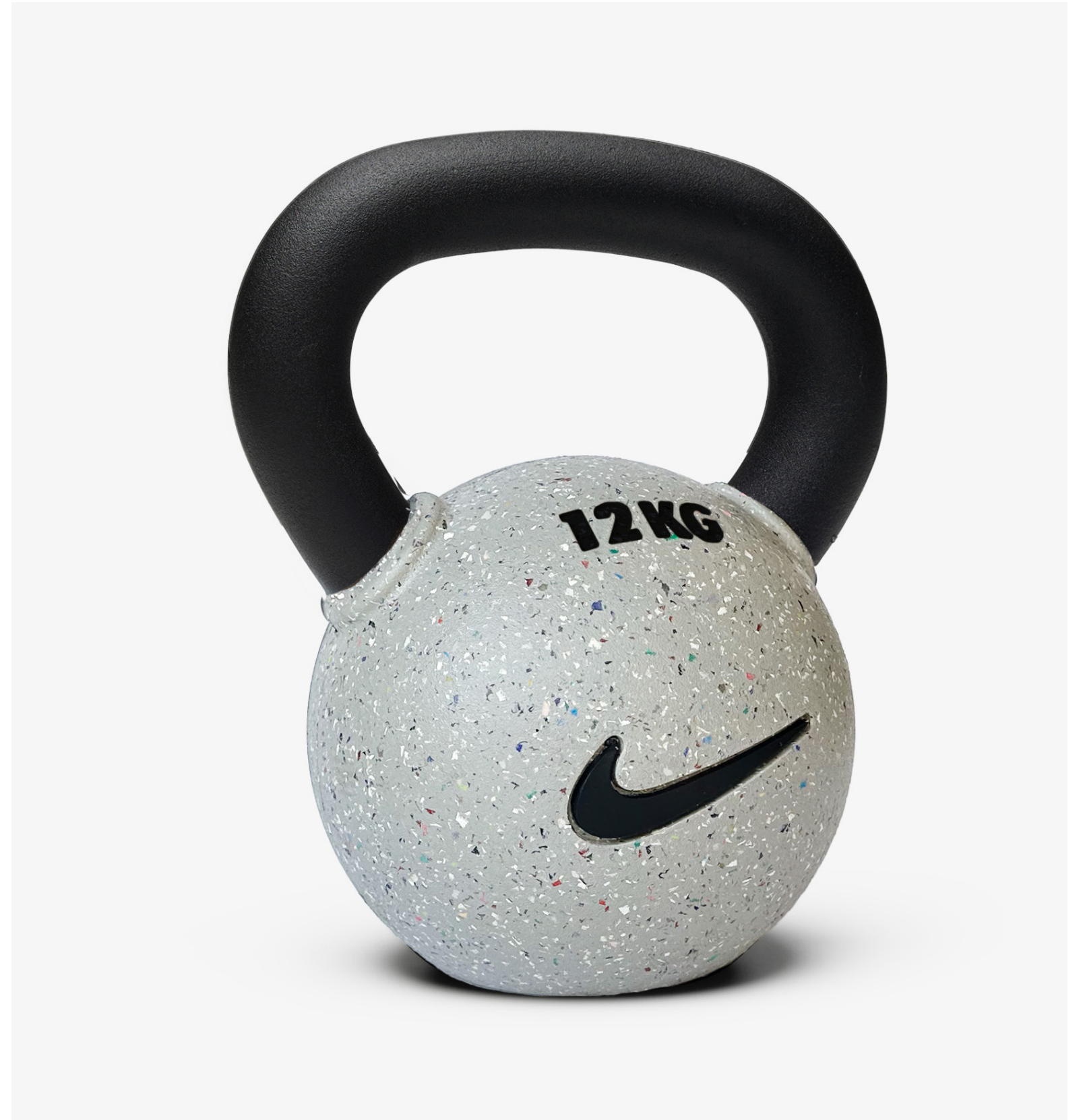
---



## FEATURES

- Heavy-duty rubber coating helps protect kettlebell & floors from scuffs and scratches
- Powder-coated handle helps you get a solid, comfortable grip
- Flat base helps keep the kettlebell from wobbling
- Measured by total product volume, this is made with at least 6% Nike Grind, a recycled material made from Nike's manufacturing scrap
- Available in 4 - 24kg

SKU: KRCU-GC\_\_



# NIKE KETTLEBELL & DUMBBELL STORAGE RACK



## FEATURES

- Made with powder-coated steel, reinforced uprights, and a wide base with rubber feet, this rack is strong & durable
- Store your Nike Kettlebells and Dumbbells in one spot
- Durable rubber mat helps protect kettlebells from scuffs and scrapes

SKU: SDKS-1199



# NIKE PLATES

---



NIKE RUBBER BUMPER PLATES



NIKE GRIND BUMPER PLATES



NIKE CHANGE PLATES



NIKE PLATE TREE & BARBELL HOLDER

# NIKE GRIND BUMPER PLATES



OBSIDIAN

FA24 / 1K

PGAK-91XX



ANTHRACITE

FA24 / 2K

PGAK-92XX



\*NOTE: Every season there are unique Nike Grind Plate batches. Color availability will vary and should be confirmed with the Dimension 6 Fitness team.

# NIKE BARBELLS

---



## NIKE BARBELL

Chrome



## NIKE STRENGTH SHIELD BARBELL

Cerakote®



# NIKE BARBELLS



CERAKOTE®



20 KG



220 CM



28.5 MM



MEDIUM  
KNURL



4 BUSHINGS

**190K**

PSI TENSILE  
STRENGTH



END CAP

\*All Nike Barbells are offered in a 15kg version but dimensions are different from the 20kg version

# NIKE 1972 POWER BAR

---



**NIKE 1972 POWER BAR**  
Chrome



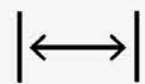
**NIKE 1972 POWER BAR**  
Black Chrome



# NIKE 1972 POWER BAR



20 KG



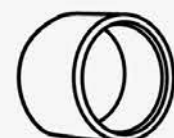
220 CM



29 MM



AGGRESSIVE  
KNURL



4 BUSHINGS

**200K**

PSI TENSILE  
STRENGTH



END CAP

# NIKE CURL BAR

---



**NIKE CURL BAR**  
Chrome



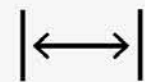
**NIKE STRENGTH  
SHIELD CURL BAR**  
Cerakote®



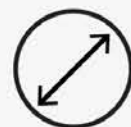
# NIKE CURL BAR



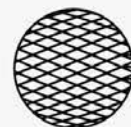
10 KG



120 CM



28 MM



AGGRESSIVE  
KNURL



2 NEEDLE  
BEARINGS

**90.7 KG**

WEIGHT  
CAPACITY



END CAP

# NIKE OPEN TRAP BAR

---



## FEATURES

- Made with powder-coated, 4mm steel tubing
- Solid, knurled steel handles
- TPE “shoes” protect flooring when using the built-in bar jack to easily load and unload weight without injury
- Dual handle design provides two lifting height options based on your mobility or training style
- Weight: 29kg

SKU: BOTK-0164



# NIKE BARBELL COLLARS

---



BLACK / ORANGE



WHITE / ORANGE



VOLT / BLACK



BLACK / GREY



WHITE / BLACK

# NIKE RACKS

---



**NIKE SQUAT STAND**  
183cm Tall / 50mm x 75mm Tubing / Free Standing



**NIKE SQUAT RACK**  
236cm Tall / 75mm x 75mm Tubing / Free Standing



**NIKE SQUAT RACK (TALL)**  
262cm Tall / 75mm x 75mm Tubing / Free Standing



**NIKE SQUAT CAGE**  
236cm Tall / 75mm x 75mm Tubing / Anchor to Ground



**NIKE HALF RACK**  
236cm Tall / 75mm x 75mm Tubing / Anchor / Storage

# NIKE HALF RACK



## FEATURES

- Integrated weight horns allow you to store plates on the rack so you can easily load and unload the barbell
- Made with 11-gauge, 75mm x 75mm steel tubing uprights and 16mm bright zinc hardware
- Clearly marked, 5cm-spaced holes with laser-engraved numbers denoting every other hole for easy placement of attachments
- Includes 4 vertical uprights, 32mm diameter pull-up bar, Nike Premium J-Cups, 8 weight horns, hardware, and sleeve anchors
- Flat storage shelf is sold separately, rack can fit 4 shelves total

SKU: RHTL-1193 (Rack), THFS-1199 (Shelf)



# NIKE RACK ATTACHMENTS

---



## NIKE SPOTTER ARMS

Compatible with all Nike Racks / Weight Capacity: 350kg



## NIKE DIP STATION

Compatible with all Nike Racks / Weight Capacity: 215kg



## NIKE PREMIUM J-CUPS

Compatible with all Nike Racks / Weight Capacity: 500kg

# NIKE BENCHES

---



**NIKE FLAT WEIGHT BENCH**  
50mm x 50mm Tubing / Weight Capacity: 500kg



**NIKE ROLLING WEIGHT BENCH**  
75mm x 75mm Tubing / Weight Capacity: 500kg / Black



**NIKE ROLLING WEIGHT BENCH**  
75mm x 75mm Tubing / Weight Capacity: 500kg / White



**NIKE ADJUSTABLE BENCH**  
75mm x 75mm Tube / Weight Cap.: 450kg Flat, 270kg Incline

# NIKE ADJUSTABLE BENCH



## FEATURES

- The front and rear pads have an intuitive adjustment system that allow for single handed adjustment
- Features premium, durable TPU wheels and an ergonomically designed handle for easy maneuverability with the ability to store the bench upright
- Made with powder-coated, 11-gauge steel tubing, durable synthetic leather, and a firm foam pad, providing a comfortable and supportive platform
- Weight Capacity: 450kg Flat, 270kg Inclined

SKU: NAWU-1199



# NIKE FUNCTIONAL TRAINING EQUIPMENT



## NIKE SANDBAGS

Up to 18.1, 36.3, or 54.4kg / Heavy Duty, Durable Material



## NIKE WEIGHT SLED

Powder Coated / 3-Gauge Steel / Includes Plastic Skis



## NIKE SOFT PLYO BOX

3-in-1: 20" x 24" x 30" / Soft Foam Exterior



## NIKE MEDICINE BALL

Premium, Durable Rubber / Fully Textured for Grip



## NIKE ATHLETIC TAPE

Versatile Design for All Sports



## NIKE FLEX LIFTING TAPE

Specialized Design for Weight Lifting

# NIKE SOFT PLYO BOX

---



## FEATURES

- 3-in-1: 20" x 24" x 30"
- Durable, water resistant cover prevents slipping
- Foam prevents injuries without compromising stability
- 16kg weight allows box to be moved easily

SKU: ZPBS-1035



# NIKE MEDICINE BALL

---



## FEATURES

- Premium rubber exterior helps retain the ball's shape through drops, twists, lunges and other exercises
- Fully textured surface is designed to give you a secure, comfortable grip—for maximum control of the ball
- Available in 8 lb, 10 lb, & 12 lb

SKU: ZMBL-10\_\_



# NIKE ATHLETIC TAPE

---



## FEATURES

- Designed to provide versatile support and protection for you and your equipment
- Made with high-quality materials that tear easily, apply evenly and stay in place through sweaty workouts
- 1.5" Roll x 10yd (38cm Roll x 9m)
- Available in White/Grey, Black/Grey, and Orange/Light Orange

SKU: ZTAU-SR\_\_



# NIKE FLEX LIFTING TAPE



## FEATURES

- Strong, flexible material adheres to your hand and stays there—even through sweaty workouts
- Designed to increase your grip during heavy lifts and protect your skin during repetitive movements, with or without chalk
- Made with high-quality materials that are easy to tear and apply smoothly to your skin
- Available in Black/White and White/Black
- 2" Roll x 5yd (5cm Roll x 4.5m)

SKU: ZTLU-JS\_\_



# NIKE STRENGTH PRO: COMMERCIAL-GRADE EQUIPMENT



**NIKE STRENGTH PRO URETHANE DUMBBELL**  
Durable Urethane / Straight Handle / Medium Knurling



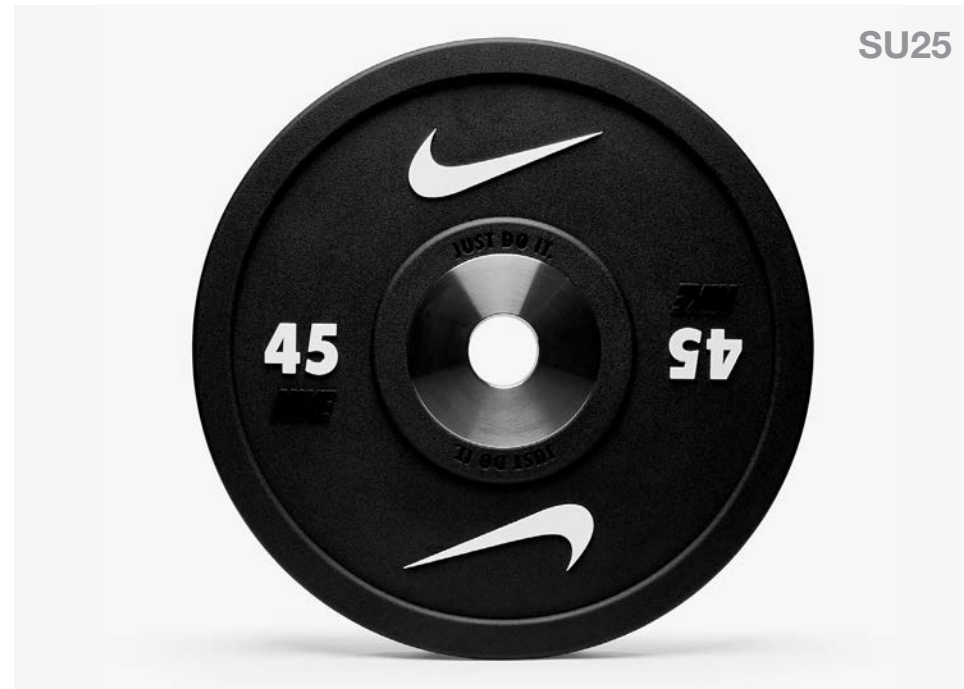
**NIKE STRENGTH PRO FIXED BARBELL**  
Straight Handle / Durable Urethane Heads



**NIKE STRENGTH PRO FIXED BARBELL**  
Curl Grip Handle / Durable Urethane Heads



**NIKE STRENGTH PRO URETHANE PLATES**  
Grip Handle / Designed for Strength & Machines



**NIKE STRENGTH PRO URETHANE BUMPER PLATES**  
Premium Urethane / Extremely Durable / Black



**NIKE STRENGTH PRO URETHANE BUMPER PLATES**  
Premium Urethane / Extremely Durable / Olympic Colors

# NIKE STRENGTH PRO: COMMERCIAL-GRADE EQUIPMENT



**NIKE STRENGTH PRO URETHANE DUMBBELL RACK**  
Individual Cradles / Fits 1 - 40kg Urethane Dumbbells



**NIKE STRENGTH PRO HALF RACK**  
3" x 3" Tubing / 1" Holes / Add on Adjustable Shelves



**NIKE STRENGTH PRO POWER RACK**  
3" x 3" Tubing / 1" Holes / Compatible with NS Pro Attach.



**NIKE STRENGTH PRO FIXED BARBELL RACK**  
Individual Cradles / Fits All Sizes of Nike Fixed Barbells